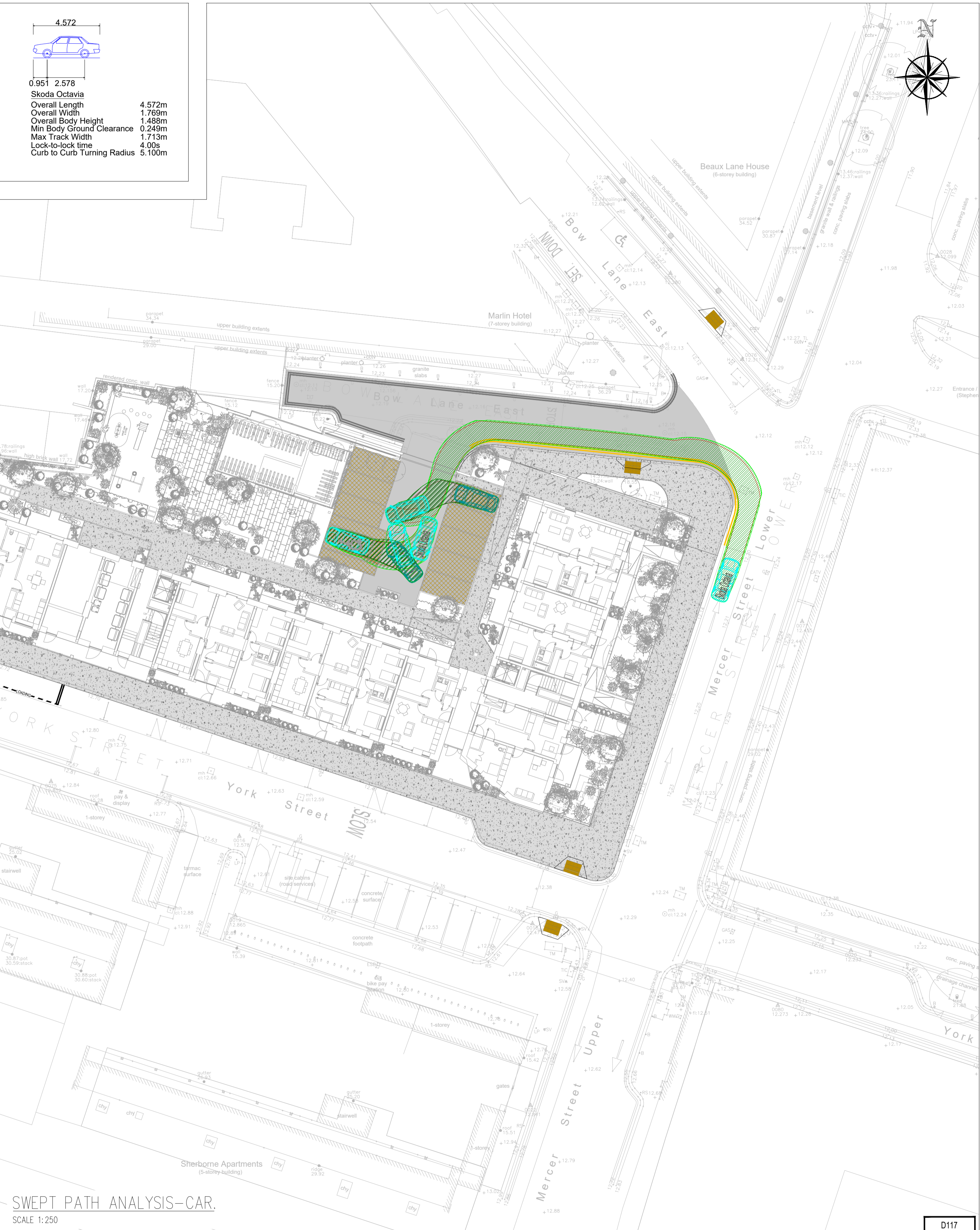
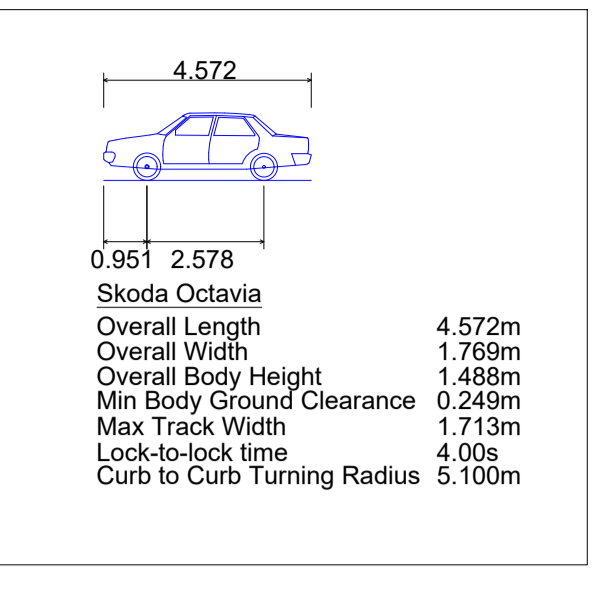


SWEPT PATH ANALYSIS-FIRE TENDER.
SCALE 1:250



SWEPT PATH ANALYSIS-CAR.
SCALE 1:250

PLANNING DRAWING.
NOT FOR CONSTRUCTION.
ALL LEVELS GIVEN ARE
RELATIVE TO ORDNANCE DATUM.
THIS DRAWING HAS BEEN ISSUED FOR INFORMATION
PURPOSES ONLY AND MUST NOT BE USED
FOR CONSTRUCTION UNDER ANY CIRCUMSTANCES

- NOTES**
- For setting out refer to Architect's drawings.
 - This drawing to be read in conjunction with all other Architectural and Engineering drawings and all other relevant drawings and Specifications.
 - DO NOT SCALE THIS DRAWING. Use figured dimensions only.
 - No part of this document may be reproduced or transmitted in any form or stored in any retrieval system of any nature without the written permission as copyright holder except as agreed for use on the project for which the document was originally issued.
 - Ordnance Survey Ireland Licence Number EN 0074025

Rev. No	Date	REVISION NOTE
P1	28.01.2025	ISSUED FOR PLANNING
P2	02.07.2025	UPDATED AND ISSUE FOR PLANNING

Rev. No	Date	REVISION NOTE	Dim. By	Chkd. By
P1	28.01.2025	ISSUED FOR PLANNING	MM	SS
P2	02.07.2025	UPDATED AND ISSUE FOR PLANNING	MM	SS

Architect	DTA architects	
Project	Glover Court Dublin	
Title	Swept Path Analysis Fire Tender And Car Parking Spaces	
Dwg. No.	D117-CSC-XX-XX-DR-C-0005	
Date	Dim by	Chkd by
APRIL 2024	MM	NB
Aprvd by	Scale	Revision
MMCE	1:250 @A1	P2

CS Consulting Group
DUBLIN | LONDON | LIMERICK

Head Office
19-22 Dame Street, Dublin 2.
T: +353 (0)1 5480863
e: info@csconsulting.ie
w: www.csconsulting.ie

Quality Environment I.S. EN ISO 9001:2008
Energy I.S. EN ISO 14001:2004
Health & Safety OHSAS 18001:2007