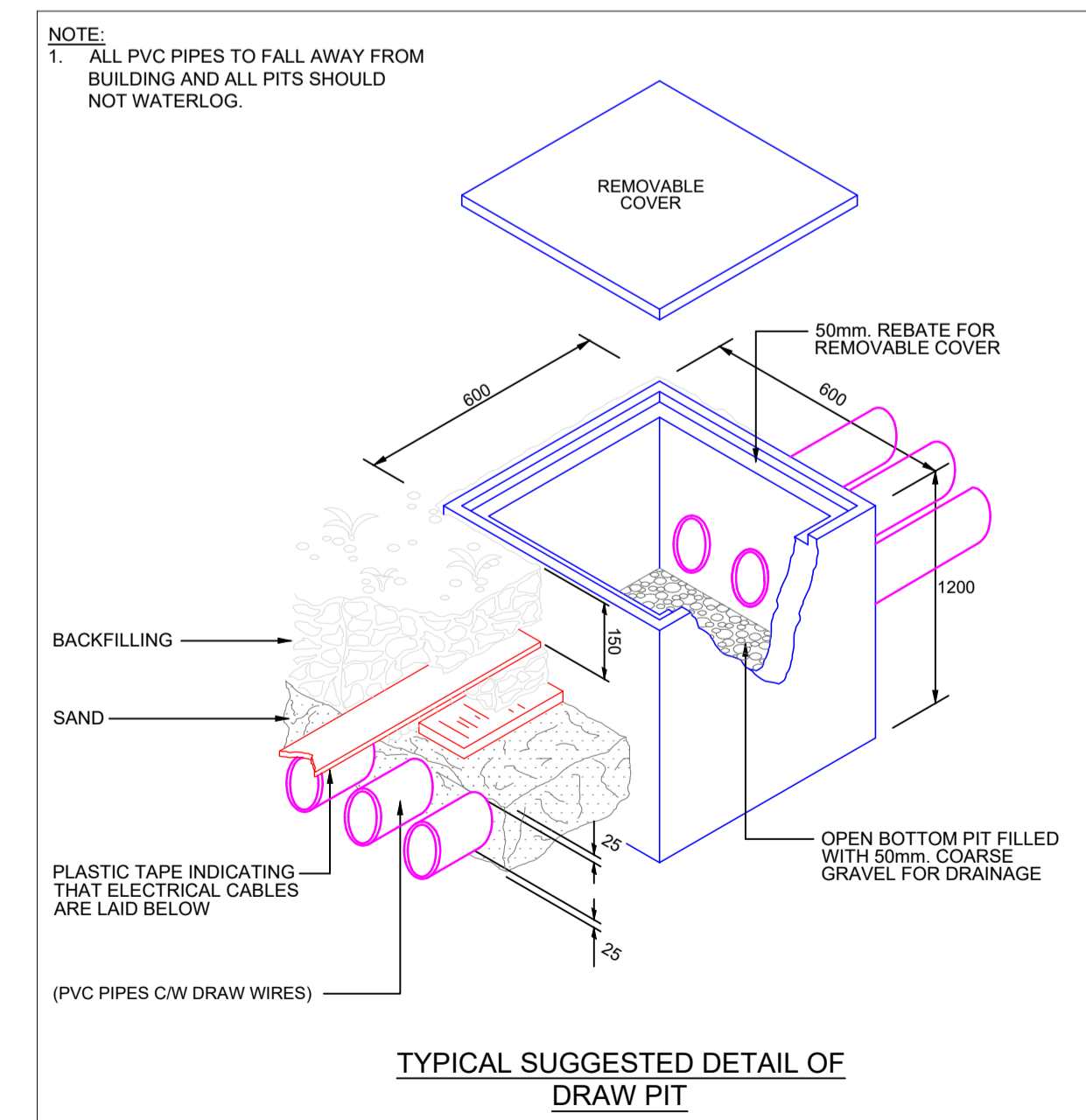


- NOTE:**
- HATCHED DUCTING TO BE DECOMMISSIONED.
 - CONSTRUCTOR MUST ALLOW FOR THE SUPPLY AND INSTALLATION OF 600x600 DRAW PIT AND CHAMBER AT EVERY 90 DEGREE BEND OF DUCTING AS REQUIRED.
 - ALLOW FOR A HORIZONTAL DISTANCE BETWEEN LV AND ELV DUCTING OF 100mm
 - TRENCH SIZES:
 EIR: 500mm DEEP x 600mm WIDE
 VM: 500mm DEEP x 600mm WIDE
 SITE LIGHTING: 600mm DEEP x 600mm WIDE
 ESB: 650mm DEEP x 600mm WIDE

- LEGEND:**
- SITE BOUNDARY
 - EX ESB
 - EX EIR
 - EX G
 - EX VM
 - NEW ESB
 - NEW EIR
 - NEW GAS
 - NEW VM
 - PL
 - ELV
 - EV
 - STRIPPED OUT SERVICES
 - EV EV CHARGING PILLAR
 - X MF-0.9 DRAW CHAMBER SI-XI
 - X PUBLIC LIGHTING MICROPILLAR
 - DISTRIBUTION BOARD



General Notes
 A. DO NOT SCALE FROM THIS DRAWING - WORK ONLY FROM FIGURED DIMENSIONS.
 B. ALL ERRORS & OMISSIONS TO BE REPORTED TO THE CONSULTING ENGINEER
 C. THIS DRAWING IS TO BE READ IN CONJUNCTION WITH ARCHITECTS AND STRUCTURAL ENGINEER'S DRAWINGS.
 D. REFER TO DOCUMENT REGISTER FOR DESCRIPTION OF STATUS CODES.

| Rev | Status | Date | Description | D.E. |
|-----|--------|----------|--------------------|-------|
| P04 | S3 | 04/07/25 | ISSUE FOR PLANNING | D.O.R |
| P03 | S3 | 23/01/25 | ISSUE FOR PLANNING | D.D. |
| P02 | S3 | 06/11/24 | ISSUE FOR PLANNING | D.D. |
| P01 | S3 | 27/09/24 | ISSUE FOR PLANNING | D.D. |

Client
DUBLIN COUNTY COUNCIL
 Project Title
GLOVER COURT DEVELOPMENT

Drawing Title
PROPOSED MECHANICAL AND ELECTRICAL SITE SERVICES LAYOUT

Dublin 01 4872300
 Cork 021 2375080
 Roscommon 090 6602380
 Website www.varming.ie

Engineers Ireland
IHEEM
Quality Health Environment
NSAI Certified

Engineering for the Future

Varming
 Consulting Engineers Ltd.

Revision **P04** Project Drawing Reference **23681-VCE-XX-XX-DR-ME-1000**
 Status **S3** Varming Project Number **23681**
 Date **NOV '23** Checked By **D.D.** Drawn By **A.W.** Scale **1:200@A1**

© Copyright Varming Consulting Engineers Ltd
 Titleblock Revision: 2020_2